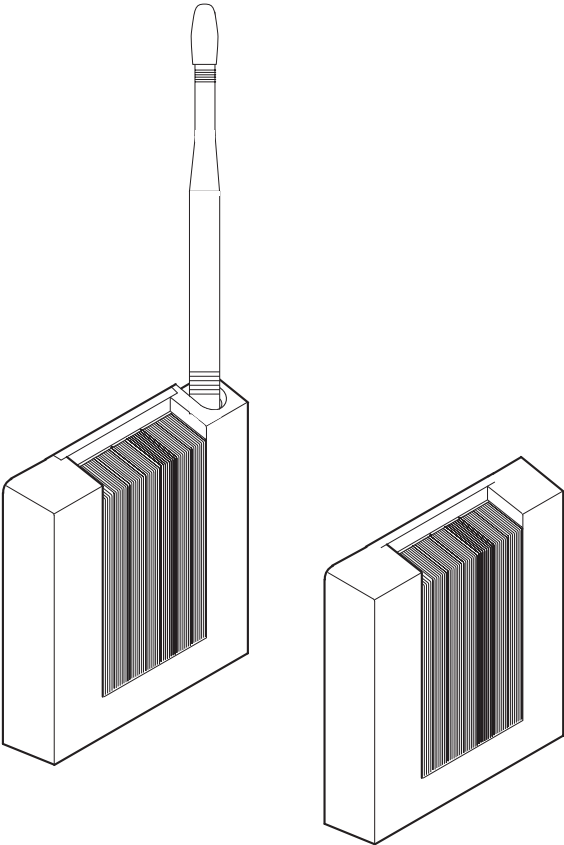


NX-592E Wireless Gateway  
Installation Instructions



**Copyright** Copyright © 2005, GE Security Inc. All rights reserved.

This document may not be copied in whole or in part, or otherwise reproduced except as specifically permitted under US copyright law, without the prior written consent from GE.

Document number/revision: 466-2204B.

**Disclaimer** The information in this document is subject to change without notice. GE, in keeping pace with technological advances, is a company of product innovation. Therefore, it is difficult to ensure that all information provided is entirely accurate and up-to-date. GE accepts no responsibility for inaccuracies or omissions and specifically disclaims any liabilities, losses, or risks, personal or otherwise, incurred as a consequence, directly or indirectly, of the use or application of any of the contents of this document.

This publication may contain examples of screen captures and reports used in daily operations. Examples may include fictitious names of individuals and companies. Any similarity to names and addresses of actual businesses or persons is entirely coincidental.

**Trademarks and patents** GE and the GE monogram are registered trademarks of General Electric.

Other trade names used in this document may be trademarks or registered trademarks of the manufacturers or vendors of the respective products.

**Software license agreement** GE software supplied with GE products is proprietary and furnished under license and can be used or copied only in accordance with the license terms.

THE ENCLOSED PROGRAM IS FURNISHED SUBJECT TO THE TERMS AND CONDITIONS OF THIS AGREEMENT. RETENTION OF THE PROGRAM FOR MORE THAN 30 DAYS, OPENING OF THE SEALED WRAPPER, IF ANY, SURROUNDING THE PROGRAM, OR USE OF THE PROGRAM IN ANY MANNER WILL BE CONSIDERED ACCEPTANCE OF THE AGREEMENT TERMS. IF THESE TERMS ARE NOT ACCEPTABLE, RETURN THE UNUSED PROGRAM AND ANY ACCOMPANYING DOCUMENTATION TO GE FOR A FULL REFUND OF THE LICENSE FEE PAID. (FOR INFORMATION REGARDING THE RETURN OF PROGRAMS ENCODED OR INCORPORATED WITHIN EQUIPMENT, CONTACT THE NEAREST GE SALES OFFICE.)

**Intended use** Use this product only for the purpose for which it was designed; refer to the data sheet and user documentation. For the latest product information, contact your GE sales representative or visit us online at [www.gesecurity.com](http://www.gesecurity.com).

**FCC compliance** This equipment has been tested and found to comply with the limits for a Class B digital device, pursuant to part 15 of the FCC Rules. These limits are designed to provide reasonable protection against harmful interference when the equipment is operated in a commercial environment. This equipment generates, uses, and can radiate radio frequency energy and, if not installed and used in accordance with the instruction manual, may cause harmful interference to radio communications.

You are cautioned that any changes or modifications not expressly approved by the party responsible for compliance could void the user's authority to operate the equipment.

**Contact** Direct all inquiries about GE's legal policies with regard to this product to:

Director of Legal Services  
GE Security  
12345 SW Leveton Drive  
Tualatin, OR 97062-9938 USA

## Preface

This is the *GE NX-592E Installation Manual* for models NX-592E-S, NX-592E-W, and NX-592E-BO. This document includes an overview of the product and detailed instructions explaining:

- how to install the unit; and
- how to program the unit.

There is also information describing how to contact technical support if you have questions or concerns.

To use this document effectively, you should have the following minimum qualifications:

- a basic knowledge of NetworX panels; and
- a basic knowledge of electrical wiring and low-voltage electrical connections.

Read these instructions and all ancillary documentation entirely before installing or operating this product. The most current versions of this and related documentation may be found on our website. Refer to [Online publication library](#) on page 13 for instructions on accessing our online publication library.

**Note:** A qualified service person, complying with all applicable codes, should perform all required hardware installation.



## Conventions used in this document

The following conventions are used in this document:

<b>Bold</b>	Menu items and buttons.
<i>Italic</i>	Emphasis of an instruction or point; special terms.
	File names, path names, windows, panes, tabs, fields, variables, and other GUI elements.
	Titles of books and various documents.
<i>Blue italic</i>	(Electronic version.) Hyperlinks to cross-references, related topics, and URL addresses.
Monospace	Text that displays on the computer screen.
	Programming or coding sequences.

## Safety terms and symbols

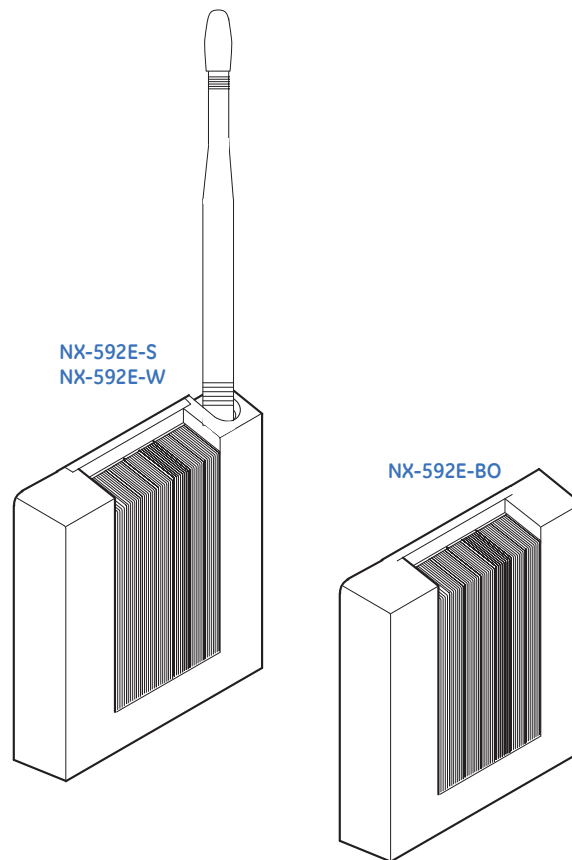
These terms may appear in this manual:

 <b>CAUTION:</b>	<i>Cautions</i> identify conditions or practices that may result in damage to the equipment or other property.
 <b>WARNING:</b>	<i>Warnings</i> identify conditions or practices that could result in equipment damage or serious personal injury.

## Product summary

The NX-592E Wireless Gateway allows NetworX owners to control and monitor their system status from the Alarm.com website. Through a wireless, two-way paging network, your customer has limited controls on such features as security, notifications, history, and authentication (see *System operation from Alarm.com* on page 17 for further details). The modem for the NX-592E-BO must be purchased separately from Alarm.com.

Figure 1. NX-592E-S, NX-592E-W, NX-592E-BO



Utilizing the wireless paging network, NetworX owners may also be notified of system events by e-mail, pager, or phone.

The wireless module interfaces with the NetworX panel data bus and is powered by the panel or an auxiliary 12 VDC power supply. Status LEDs indicate bus and paging network communications. See *Figure 2* on page 3 for an illustration of the main module components, and see *Table 1* on page 3 for a description of each component..

Figure 2. Main module components

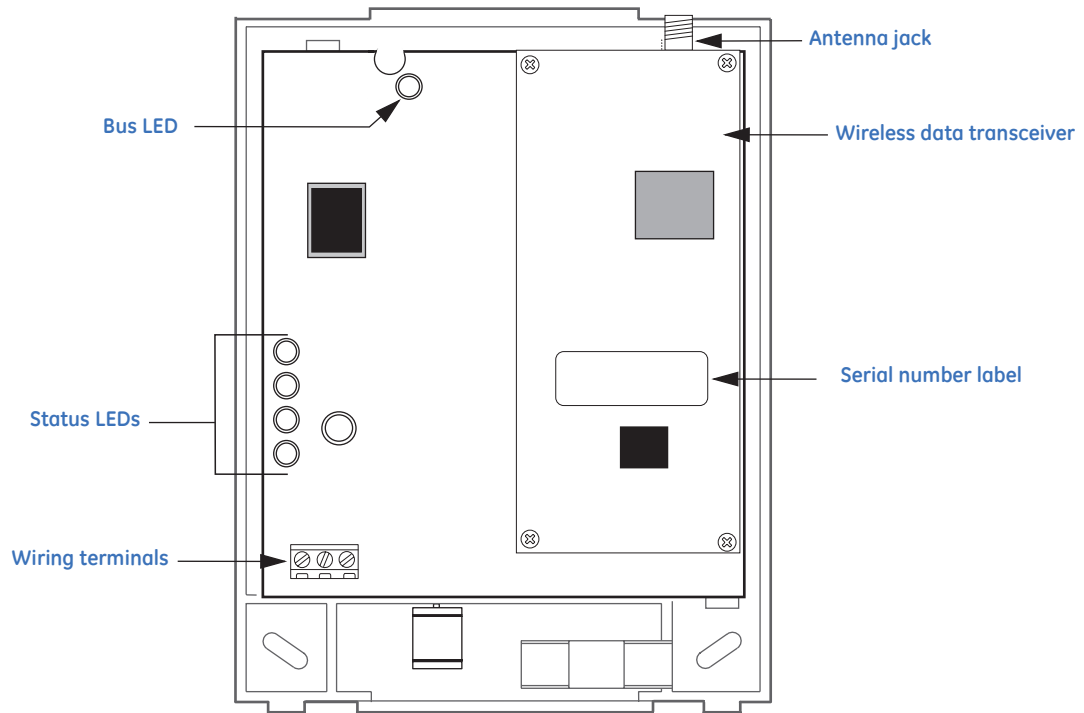


Table 1. Module component descriptions

Component	Function
Bus LED	Indicates data bus activity between panel and module
Status LEDs	Indicate communications status with two-way pager network
Wiring terminals	Provides panel wiring connections
Antenna jack	Antenna connection for wireless data transceiver

## Before installation

Before installing any Wireless Gateway, you must:

1. Create the Alarm.com customer account prior to installing the Wireless Gateway by logging into the Alarm.com dealer website at the following location:  
<https://www.alarm.com/dealer>  
E-mail *dealer@alarm.com* to become a registered Alarm.com dealer/installer.
2. Create the account at least 24 hours before installation to ensure that the wireless module is activated properly on the wireless network.

## Creating a new account

To create a new account, do the following:

1. Open a web browser and enter the Alarm.com dealer website URL:  
<https://www.alarm.com/dealer>
2. Enter your dealer login and password and press **GO**.
3. Go to the *Coverage/FAQ* page to check wireless coverage at the install location. If the location has full coverage, proceed with the next steps. If coverage is uncertain, you may contact Alarm.com for more details.
4. Click the **Customers** link on the menu bar. Then click **Create Customer**.
5. Enter the required customer information  
**Note:** Ensure the customer e-mail address is entered correctly. Alarm.com sends a confirmation message, and a list of account changes, to the customer via e-mail.
6. Click **Next**. *Step Two, Create Customer's Login* will appear. Follow the directions as stated. You may click on **Automatically Generate Login** to have a login assigned to you.
7. Click **Next**. *Step Three, System Location* will appear. If the system is installed at the address provided at *Step One Customer Information*, click **Yes**. If the system is installed at an address different from the one provided in *Step One Customer Information*, click **No** and enter the correct address and time zone where the system is to be installed. It's important that you enter the correct system location address at this step.
8. Click **Next**. *Step Four Panel Information* will appear. In the *Modem Serial #* dialog box, enter the 10-character ID found on the gateway you purchased. If you are unable to proceed with the modem serial number, contact Alarm.com.
9. Select **NX** in the *Panel Type* list box.



**CAUTION:**

The website will issue a warning about the number of zones attached to the panel. Unlike Concord and Simon, the Alarm.com gateway cannot learn the number of zones from the panel. By default, the gateway will assume that eight zones are installed. If the number of zones is different, you will have to send a command to the panel later via the Customer Support page of the Dealer website. See the last paragraph of this section for more details.

---

10. Click **Next**. The *Confirmation* screen will appear. Review the customer information. If you need to change any of the information, click the **Edit** link next to the field you want to update.
11. Click **Done**. The *Account Creation Successful* screen will appear. Click **View and Print Welcome Letter**. Print two copies of the welcome letter; one for the customer and one for your records. The letter includes the customer's login, temporary password, and instructions on how to get started.

Also, a confirmation message is sent via e-mail to the address entered in *Step One: Customer Information*. The message contains a user confirmation number to be entered during initial log on to the Alarm.com website.

**Note:** If you leave the *Account Creation Successful* screen without printing a welcome letter, you must click on the **Customer** Tab, choose the **Customer Support** tab, and search for and click on the customer that needs a New Welcome Letter. On the customer information page that appears, select the **New Welcome Letter** tab in the *Customer Support Option* panel on the left-hand side.

If the customer does not receive the confirmation e-mail, you may send a new confirmation e-mail by selecting **Resend Confirmation Number** in the *Customer Support Options* panel.

## Programming the number of zones into the gateway

This section describes how to program the number of zones into the gateway.



**CAUTION:** Unlike Concord and Simon, the Alarm.com gateway cannot learn the number of zones from the NX panel. By default, the gateway will assume that eight zones are installed. If the numbers of zones is different, you will have to send a command to the panel via the *Customer Support* page of the Alarm.com Dealer website.

---

Once the account is created, log on to the Alarm.com Dealer website at:

<https://www.alarm.com/dealer>

Click on the **Customers** Tab, and then click on the **Customer Support** subtab. Enter the name of the account in the *Customer Search* field and click on **Submit Search**. Then click on the customer name in the *Search Results* list below the *Customer Search* area. When the account information appears, click on the **Sensor List** link on the left side of the page under *Customer Support Options*. Enter the number of installed zones for the customer's NX panel and click **Submit**.

**Note:** If the panel was not powered up after the account was created, no zone list will appear on this page. The command to set the number of zones will be sent to the panel right away if the panel is powered up, or later when the panel powers up if it has not already powered up.

## Installation

Installation requires you to position the module, connect all wires and mounts, and optionally install a case tamper.

### Installation guidelines

Use the following guidelines when installing the module:

- NetworX panels support a maximum of one Wireless Gateway per system.
- Use four-conductor, 22- or 18-gauge stranded wire to connect the module to the panel (see *Table 2*).

Table 2. Maximum wire length

Gauge	Max. wire length to panel
22 ga.	40 feet
18 ga.	90 feet

- Mount the module as close to the panel as possible. The module draws a maximum of 65 mA (continuous) and up to 1600 mA (instantaneous peaks) from the panel.
- Do not exceed the panel's total output power when using panel power for bus devices and hardwired sensors (refer to specific panel installation instructions).

### Tools and supplies needed

- Slotted and Phillips screwdrivers
- Drill (3/8" drive) and drill bits
- Wire-cutter/stripper
- Four-conductor, 22-gauge or larger stranded wire
- Modem (sold separately on NX-592E-BO)
- Modem antenna and mounting screws (included)
- #6 panhead screws and wall anchors (four each included)

### Locating the module

Use the following guidelines when locating the module:

- Locate the module near an outside wall, preferably on an upper level.
- Leave 12 to 18 inches of space near the module antenna jack.
- Avoid locating the module in areas with excessive metal or electrical wiring, such as a furnace or utility room.
- Make sure the antenna is pointing up.



## Mounting

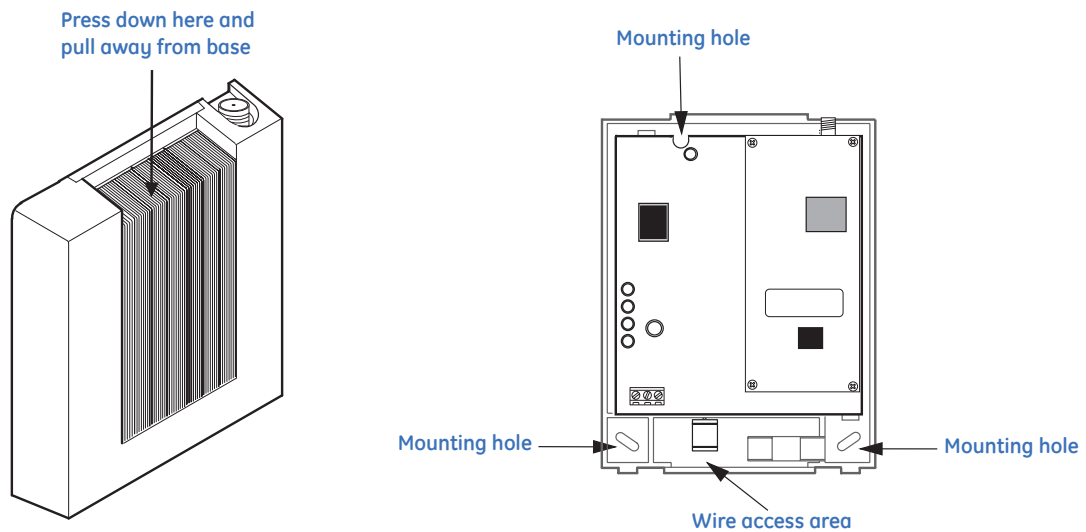
To mount the module, do the following:

1. Remove the module's enclosure cover.



You must be free of static electricity before handling circuit boards. Wear a grounding strap or touch a bare grounded metal surface to discharge static electricity.

Figure 3. Removing the enclosure/mounting hole locations



**Note:** If you are using the NX-592E-S or NX-592E-W, proceed to step 4. Steps 2 and 3 are for NX-592E-BO and a modem purchased separately.

2. Remove the existing screws from the modem mount located on the backplate.
3. Place the modem over the spacers located on the mounts and secure the modem with the screws (see *Figure 3*).
4. Fasten the antenna to the antenna jack (see *Figure 2* on page 3).
5. Place the module backplate at the desired location; ensure it is level and mark the three mounting holes and the wire access area (see *Figure 3*). Be sure to leave at least 12 to 18 inches above the backplate for the antenna.
6. Drill holes at mounting hole and wire access area locations.
7. Install wall anchors and secure the module backplate to the wall with #6 panhead screws.

## Wiring connections

1. Remove panel AC power and disconnect the backup battery.



To prevent damage to the panel or module, you must remove panel AC power and disconnect the backup battery prior to changing any wire connections.

2. Wire the module to the panel bus and power terminals (see *Figure 4* on page 8 and *Table 3* on page 8).

Figure 4. Wiring connections for the Wireless Gateway

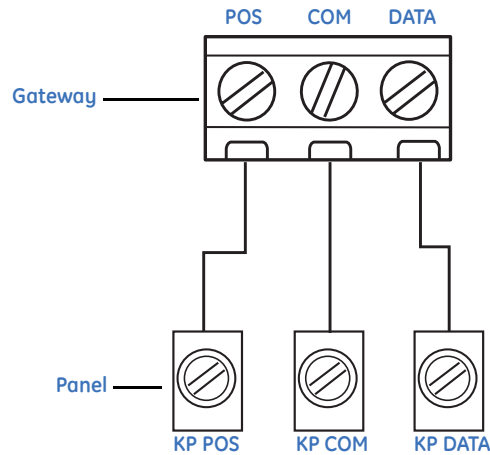


Table 3. Terminal descriptions

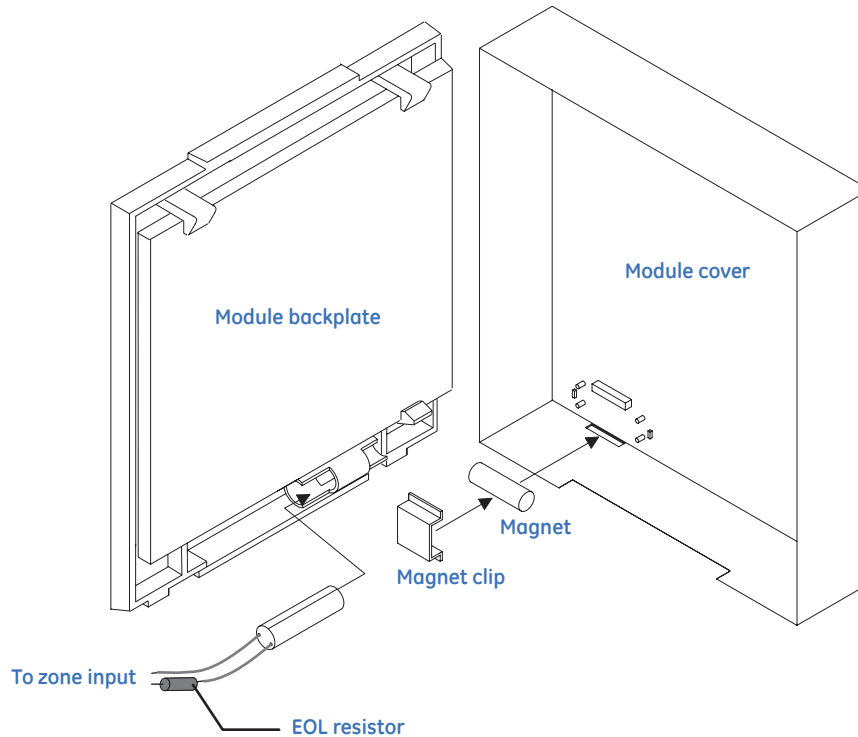
Terminal descriptions	
POS	Connect to the KP POS terminal of the NetworX panel
COM	Connect to the KP COM terminal of the NetworX panel
DATA	Connect to the KP DATA terminal of the NetworX panel

## Installing a case tamper switch

If your module is easily accessible, you may consider adding a case tamper detection switch. This switch activates an alarm or trouble signal (depending on panel programming) when the module cover is removed.

1. Slide the reed switch into the plastic holder on the module backplate (see *Figure 5*).

Figure 5. Installing a case tamper switch



2. Connect a reed switch (with EOL resistor) to any unused hardwire input on the panel. For the EOL resistor value, see the control panel installation manual.
3. Press the magnet into the tabs located on the module cover. Next, press the magnet clip over the magnet until the clip locks into place (see *Figure 5*).

## Power up

This section describes how to deliver power to both the module and panel and how to establish a communication link between the two.

1. Verify that all wiring between the panel and module are correct.
2. Reconnect the backup battery and restore panel AC power.

## Enrolling the module

The NetworX control panels have the ability to automatically find and store in memory the presence of all keypads, zone expanders, wireless receivers, output modules, and any other device on the keypad bus. This allows these devices to be supervised by the control panel. To enroll the devices, enter Program Mode using the procedure outlined in the control panel installation manual. When you exit Program Mode, the control panel will automatically enroll the devices. The enrolling process takes about 12 seconds, during which time the “Service” LED will illuminate. User codes will not be accepted during the enrolling process. Once a module is enrolled, if it is not detected by the control, the “Service” LED will illuminate. When initially powering up, the control panel automatically performs the device enrollment process.

## Programming using the keypad

The wireless gateway needs to know the address of at least one of the LCD keypads. Some commands, such as getting the zone names for display on the website, will not work if the keypad address is not known. By default, the wireless gateway assumes a keypad address of 192 (keypad 1, partition 1). If your LCD keypad is programmed differently (press \*94 + **installer code** to check), you must change the wireless gateway keypad address. To change the gateway keypad address, do the following:

1. Press \*, then **8**.
2. Enter the “Go to program” code. The default code is **9, 7, 1, 3**. If the code is valid, the keypad display will prompt you for a device address.
3. Enter the address of the NX-592E, which is **7, 8**, then press #. At this point, the keypad display will prompt you for a programming location to be entered.
4. Enter **0**, followed by the # key. Location 0, which is the LCD address will display. The default is 192. For a list of addresses, see *Table 4* on page 11.
5. To change the LCD keypad address, enter the new address, followed by the \*. The display will return to the location prompt.
6. To exit this location without changing the data, press the # key.
7. To review the data, repeat the above procedure, pressing the \* key without entering data first. If you attempt to program an invalid entry for a particular segment, the keypad sounder will emit a triple error beep (beep, beep, beep) and remain in that segment awaiting a valid entry.
8. To exit Program Mode, press the **Exit** key to exit this programming level. Pressing the **Exit** key again will exit the Program Mode.

While in programming mode and not in a location, the number in parentheses is the location you were previously changing. For example, if the display reads “Enter location, then # (2)”, it is reminding you that location 2 was the last location you programmed.

## Location 0 programming the LCD keypad address

Certain commands in the NX-592E require it to know the location of at least 1 LCD keypad (if one exists in the system). If your system has an LCD keypad we recommend that you place in partition 1 keypad 1. This will allow location 0 to be left at the factory default. If the LCD keypad is selected as something other than partition 1 keypad 1, program the appropriate address in location 0. Select the address from the following chart.

Table 4. Addresses

Keypad	Part 1	Part 2	Part 3	Part 4	Part 5	Part 6	Part 7	Part 8
1	192	193	194	195	196	197	198	199
2	200	201	202	203	204	205	206	207
3	208	209	210	211	212	213	214	215
4	216	217	218	219	220	221	222	223
5	224	225	226	227	228	229	230	231
6	232	233	234	235	236	237	238	239
7	240	241	242	243	244	245	246	247
8	248	249	250	251	252	253	254	255

## Status LEDs

The status LEDs indicate the module’s current signal and status. The bottom red REG LED indicates the module is registered and in range. The yellow ACK and green XMT LEDs indicate the module’s message status. The top red ERR LED indicates proper communication between the main board of the NX-592E and the wireless modem. See *Table 5* on page 12 for a complete list of LED condition patterns.

### The red REG LED remains:

- On - when the module is registered and in range.
- Off - when the module is out of range and not registered with the network.
- Flashing - when the module is registered but out of range.

### The yellow ACK LED remains:

- On - after the first message has been sent to and received by Alarm.com services.
- Off - until a message has been sent by the module.
- Flashing - while the first message is being sent by the module.

**The green XMT LED remains:**

- Off - immediately after Alarm.com services has received a message.
- Flashing - while a message is being sent by the module.

**The red ERR LED remains:**

- Off - If there is no communication between the main board of the NX-592E and the wireless modem board.
- Flashing - with each message exchanged between the main board of the NX-592E and the wireless modem board.

Table 5. LED condition patterns

Condition Number	Red REG LED	Yellow ACK LED	Green XMT LED	Condition
1	Off	Off	Off	Module not powered/not working
2	On	Off	Off	Module in range, first message not sent, not currently sending message
3	On	On	Off	Module in range, first message sent, not current sending message
4	On	On	Flashes	Module in range, first message sent, currently sending message

## Troubleshooting and support

This section provides information to help you diagnose and solve various problems that may arise while configuring or using your GE Security product and offers technical support contacts in case you need assistance.

### Troubleshooting

If the bus LED is not flashing, turn off panel AC power and verify that all wiring is correct.

**Note:** All buffered messages may be received from the two-way paging network upon restoring power to the module.

If the module status LEDs do not immediately turn on after initial power-up, you may have to wait five to eight minutes for the module to communicate with Alarm.com services.

If touchpads/sirens are beeping even though the system is not armed, press \*, 2 to display the trouble condition. Refer to specific touchpad manual for details.

### Contacting technical support

For assistance installing, operating, maintaining, and troubleshooting this product, refer to this document and any other documentation provided. If you still have questions, you may contact technical support during normal business hours (Monday through Friday, excluding holidays, between 6 a.m. and 5 p.m. Pacific Time).

Table 6. Sales and support contact information

	Sales	Technical support
<b>Phone:</b>	Toll-free: 888.GESECURity (888.437.3287 in the US, including Alaska and Hawaii; Puerto Rico; Canada). Outside the toll-free area: 503.885.5700.	
<b>E-mail</b>	info@geseecurity.com	generaltech@ge.com
<b>Fax</b>	800.483.2495	541.752.9096 (available 24 hours a day)

**Note:** Be ready at the equipment before calling for technical support.

### Online publication library

Another great resource for assistance with your GE Security products is our online publication library, available to all of our customers on our website. To access our publication library, go to our website at the following location:

<http://www.geseecurity.com>

In the **Tools** area at the top, click the *Publication Library* link. After you register and log on, you may search through our online library for the documentation you need.<sup>1</sup>

1. Many GE Security documents are provided as PDFs (portable document format). To read these documents, you will need Adobe Acrobat Reader, which can be downloaded free from Adobe's website at [www.adobe.com](http://www.adobe.com).

## Appendix A      Creating a new subscriber account

This section describes how to create a new subscriber account on the Alarm.com website. Be sure to discuss this section with your customer prior to the module's final installation.

After you have created a new subscriber account and installed the module, instruct your customer to log on to the Alarm.com website. You will need the following items to complete the new subscriber setup procedure:

- Login and temporary password included on the Alarm.com Welcome Letter.
- Confirmation number sent from Alarm.com to your customer's e-mail.
- Complete list of system sensors and touchpads.
- A phone number and e-mail address for Alarm.com to send notifications to.

After you have gathered the required information, log on to the following address:

<https://www.alarm.com>

Log on by entering the correct login name and temporary password. A New Subscriber Setup Wizard appears. Assist the customer in creating an address book and turning on all Alarm.com notifications.



## Appendix B Information for the user

Leave *Customer information* on page 17 from this document with your customer. The information on these pages describes security system use and limitations of the Alarm.com website. This information does not appear in any owner's manual or user guide.

## Appendix C Specifications

Table 7. Specifications

Specification	Rating
Compatibility	NetworX panels.
Power requirements	9.5 to 15 VDC, 12 V nominal, 65 mA (continuous), 1600 mA (instantaneous peak) maximum from panel or auxiliary power supply.
Paging network	One wireless, two-way paging transceiver (ReFLEX 25 for NX-592E-W or ReFLEX 50 for NX-592E-S).
Power/data bus	One three-wire NetworX power/communications data bus.
Indicators	One module/panel communication status LED. Four wireless communication status LEDs.
Operating temperature	32° to 120°F (0° to 49°C).
Storage temperature	-30° to 140°F (-34° to 60°C).
Humidity	90% relative humidity; non-condensing.
Case color	Belgian gray.
Case materials	High impact, ABS plastic.
Dimensions	5.25 x 4.125 x 1 in. (H x W x D).
Installation	Wall mount.

## Appendix D Customer information

### System operation from Alarm.com

Operating your system from the Alarm.com website gives you limited controls for managing your customer account, viewing system status and history, arming your system, and other functions through an easy to use web interface. Web-enabled features depend on selected service packages and may vary.

For the most current descriptions of available operations, see the Alarm.com website and click on the help tab in the category you have questions about.

### Notices

FCC part 15 information to the user.

This device complies with parts 15 of the FCC rules. Operation is subject to the following two conditions:

1. This device may not cause harmful interference.
2. This device must accept any interference received, including interference that may cause undesired operation.

Changes or modifications not expressly approved by GE Security can void the user's authority to operate the equipment.

The wireless modem used with this product is an intentional radiator. Refer to labeling on the modem for the FCC ID.

